

# MAXIMUS MVX RANGE, ACCESSORIES



## CMS-CMA

### ARMoured AND UNARMoured MULTI-POLAR CABLES SOLD BY THE METRE

Prepared for Ethernet, video, I/O and telemetry connections

Resistant to oil, flames and ultra-violet rays

Available in an armoured and unarmoured version

Available in black or blue

Designed for potentially explosive zones



CMS-CMA

## WASEX

### WASHER PUMP WITH EX-PROOF SOLENOID VALVE

Delivery head up to 20m

Water tank capacity: 10l (2.6gal)

Suitable for MAXIMUS series or with third-party products

Power supply in 24Vac/dc, 5W max



WASEX

## FM1010

### EMC FILTER FOR MARINE CERTIFICATION

Electrical data: from 0 up to 250V DC/AC 50/60 Hz, 6A



FM1010

## MAXIMUS MBA

### EXPLOSION-PROOF COMMUNICATION BOX IN ALUMINIUM

Certifications for use in Zones 1 and 2, IIC T5 or T6 Group (Gas) and in Zones 21 and 22, IIIC T100°C or T85°C Group (Dust)

Copper-free marine grade aluminium construction, RAL 9006 external epoxy paint

Extended/Industrial range electronics

Operating temperature: from -40°C (-40°F) up to +70°C (158°F)

IP66



MAXIMUS MBA

## TECHNICAL DATA

### CMS-CMA

#### CMSN2200

##### GENERAL

Unarmoured black cable: 2 Ethernet cables, 3 power supply conductors, 2 coaxial video cables, 15 alarm conductors, relay and telemetry

##### MECHANICAL

Unarmoured cable

External diameter: 18.6mm (0.73in)  $\pm$  0.35mm

Minimum bending radius: 186mm

Colour: Black (RAL9005)

##### ELECTRICAL

Power supply

- Number of conductors (electrical): 3
- Section: 1.5mm<sup>2</sup>
- Working voltage: 300V max

##### NETWORK

Ethernet: 2 cables, Category 5E, shielded cables

##### VIDEO

2 coaxial cables, RG179

##### I/O INTERFACE

Alarms, relay and telemetry

- Number of conductors (electrical): 15
- Section: 0.34mm<sup>2</sup>

##### ENVIRONMENT

Temperature: from -40°C (-40°F) up to +85°C (+185°F)

Type of laying: fixed installation

Oil resistant (complies with CNOMO E.03.40.150N, ASTM n.2, IRM 902, IEC60811-2-1)

UV resistant (complies with UL1581)

Flame resistant (complies with IEC/EN 60332-1)

##### CERTIFICATIONS

UL Style 20233

##### COMPLIANCE

IEC/EN 60079-14 (ATEX Ex II)

#### CMSB2200

##### GENERAL

Unarmoured blue cable: 2 Ethernet cables, 3 power supply conductors, 2 coaxial video cables, 15 alarm conductors, relay and telemetry

##### MECHANICAL

Unarmoured cable

External diameter: 18.6mm (0.73in)  $\pm$  0.35mm

Minimum bending radius: 186mm

Colour: Blue (RAL5015)

##### ELECTRICAL

Power supply

- Number of conductors (electrical): 3
- Section: 1.5mm<sup>2</sup>
- Working voltage: 300V max

##### NETWORK

Ethernet: 2 cables, Category 5E, shielded cables

##### VIDEO

2 coaxial cables, RG179

##### I/O INTERFACE

Alarms, relay and telemetry

- Number of conductors (electrical): 15
- Section: 0.34mm<sup>2</sup>

##### ENVIRONMENT

Temperature: from -40°C (-40°F) up to +85°C (+185°F)

Type of laying: fixed installation

Oil resistant (complies with CNOMO E.03.40.150N, ASTM n.2, IRM 902, IEC60811-2-1)

UV resistant (complies with UL1581)

Flame resistant (complies with IEC/EN 60332-1)

##### CERTIFICATIONS

UL Style 20233

##### COMPLIANCE

IEC/EN 60079-14 (ATEX Ex II)

## CMAN1200

### GENERAL

Armoured black cable: 1 Ethernet cable, 3 power supply conductors, 1 coaxial video cable, 7 alarm conductors, relay and telemetry

### MECHANICAL

Armoured cable

External diameter: 20.0mm (0.78in)  $\pm$  0.5mm (0.02in)

Minimum bending radius: 220mm

Colour: Black (RAL9005)

### ELECTRICAL

Power supply

- Number of conductors (electrical): 3
- Section: 2.5mm<sup>2</sup>
- Working voltage: 300V max

### NETWORK

Ethernet: 1 cable, Category 5E, shielded cable

### VIDEO

1 coaxial cable, RG179

### I/O INTERFACE

Alarms, relay and telemetry

- Number of conductors (electrical): 7
- Section: 0.34mm<sup>2</sup>

### ENVIRONMENT

Temperature: from -60°C (-76°F) up to +105°C (+221°F)

Type of laying: fixed installation

Oil resistant (complies with CNOMO E.03.40.150N, ASTM n.2, IRM 902, VDE 0472 p.803 test B)

UV resistant (complies with IEC 60068-2-5)

Flame resistant (complies with IEC/EN 60332-1, IEC/EN 60332-3-22)

### COMPLIANCE

IEC/EN 60079-14 (ATEX Ex II)

## CMAB1200

### GENERAL

Armoured blue cable: 1 Ethernet cable, 3 power supply conductors, 1 coaxial video cable, 7 alarm conductors, relay and telemetry

### MECHANICAL

Armoured cable

External diameter: 18.0mm (0,7in)  $\pm$  0.5mm (0.02in)

Minimum bending radius: 230mm (9.0in)

Colour: Blue (RAL5015)

### ELECTRICAL

Power supply

- Number of conductors (electrical): 3
- Section: 1.5mm<sup>2</sup>
- Working voltage: 300V max

### NETWORK

Ethernet: 1 cable, Category 5E, shielded cable

### VIDEO

1 coaxial cable, RG179

### I/O INTERFACE

Alarms, relay and telemetry

- Number of conductors (electrical): 7
- Section: 0.34mm<sup>2</sup>

### ENVIRONMENT

Temperature: from -60°C (-76°F) up to +105°C (+221°F)

Type of laying: fixed installation

Oil resistant (complies with CNOMO E.03.40.150N, ASTM n.2, IRM 902, VDE 0472 p.803 test B)

UV resistant (complies with IEC 60068-2-5)

Flame resistant (complies with IEC/EN 60332-1, IEC/EN 60332-3-22)

### COMPLIANCE

IEC/EN 60079-14 (ATEX Ex II)

### PART NUMBER

CMAB1200	Armoured blue cable
CMAN1200	Armoured black cable
CMSB2200	Unarmoured blue cable
CMSN2200	Unarmoured black cable

## WASEX

### GENERAL

Enclosure made of stainless steel AISI 316L  
Water delivery pipe supplied

### MECHANICAL

Pressure: 4bar max  
Delivery head: 20m (66ft)  
Pipe material: Antistatic plastic  
Water tank capacity: 10l (2.6gal)  
Dimensions (WxHxL): 429x697x255mm (16.9x27.4x10in)  
Unit weight: 18kg (40lb)

### ELECTRICAL

Power supply: 24Vac or 24Vdc, 50/60Hz  
Consumption: 5W

### ENVIRONMENT

For installation indoors and outdoors  
Operating temperature of solenoid valve: From -40°C (-40°F) up to +60°C (140°F)  
Operating temperature of device: depending on the solidification temperature of the liquid

### CERTIFICATIONS

Lloyd's Register Marine Type Approval  
• Test Specification Number 1:2015 (ENV1, ENV2, ENV3, ENV5)

#### EAC EX:

- 1 Ex d IIC T4 Gb X, IP66 -40°C/+60°C
- Ex tb IIIC T130°C Db X, IP66 -40°C/+60°C

#### Solenoid valve:

ATEX (EN 60079-0: 2012+A11: 2013, EN 60079-1: 2014, EN 60079-31: 2014)

- Ex 2 II GD Ex d IIC T6 or T5 or T4 Gb  
Ex tb IIIC T80°C or 95°C or T130°C Db IP66  
Tamb -40°C to +35°C or +50°C or +60°C

#### INMETRO

- Ex d IIC T4 Gb IP66
- Ex tb IIIC T135°C Db IP66
- Tamb -40/+60°C (-40°F / +140°F)

#### EAC EX:

- 1 Ex d IIC T4 Gb X
- Ex tb IIIC T130°C Db X, IP66 -40°C/+60°C

## FM1010

### ELECTRICAL

Electrical data: from 0 up to 250V DC/AC 50/60 Hz, 6A

### PART NUMBER

FM1010 EMC filter for Marine certification

## MAXIMUS MBA

### MECHANICAL

Copper-free marine grade aluminum construction  
RAL 9006 epoxy exterior painting  
Mounting holes: 4 x Ø13mm (0.5in)  
Cable gland holes: 4 x 3/4" NPT + 2 x 1/2" NPT  
External dimensions (WxHxL): 305x228x340mm (12x9x13.5in)  
Unit weight: 15kg (33.5lb)

### ELECTRICAL

MBA works with all MAXIMUS products in 24Vac.

Recommended installation configurations:

- 1 PTZ + 1 washing kit
- 2 cameras + 2 washing kits

Maximum power output: 120W

Input voltages available:

- 230Vac, 50/60Hz
- 24Vac, 50/60Hz
- 120Vac, 50/60Hz

### NETWORK

4 Ethernet switch channels:

- 3 RJ45 ports
  - Ethernet connection: 10BASE-T/100BASE-T
- 1 SFP port (SMALL FORM FACTOR PLUGGABLE)
  - Ethernet connection: 100BASE-FX
  - Supply voltage: 3.3V
  - Standard: compliant MSA

### ANALOGUE VIDEO

2 bypass for analog video signals with BNC connectors

### I/O INTERFACE

2 bypass for I / O signals with multi-pin connectors

### ENVIRONMENT

For installation indoors and outdoors  
Installation temperature: from -60°C (-76°F) up to +80°C (+176°F) (T5) or +60°C (140°F) (T6)  
Operating temperature: from -40°C (-40°F) up to +70°C (158°F)  
Relative humidity: from 10% up to 95%

### CERTIFICATIONS

ATEX (EN 60079-0:2013/A11:2013, EN 60079-1:2007, EN 60079-31:2009)

IECEX (IEC 60079-0 Ed.6, IEC 60079-1 Ed.6, IEC 60079-31 Ed.2)

Electrical safety (CE): EN60950-1, IEC60950-1

Electromagnetic compatibility:

- CE: EN50130-4, EN55032 (Class B), EN61000-6-4
- FCC: Part 15 (Class B)
- ICES-003 (Class B)

IP protection degree (EN60529):

- IP66

## ACCESSORIES

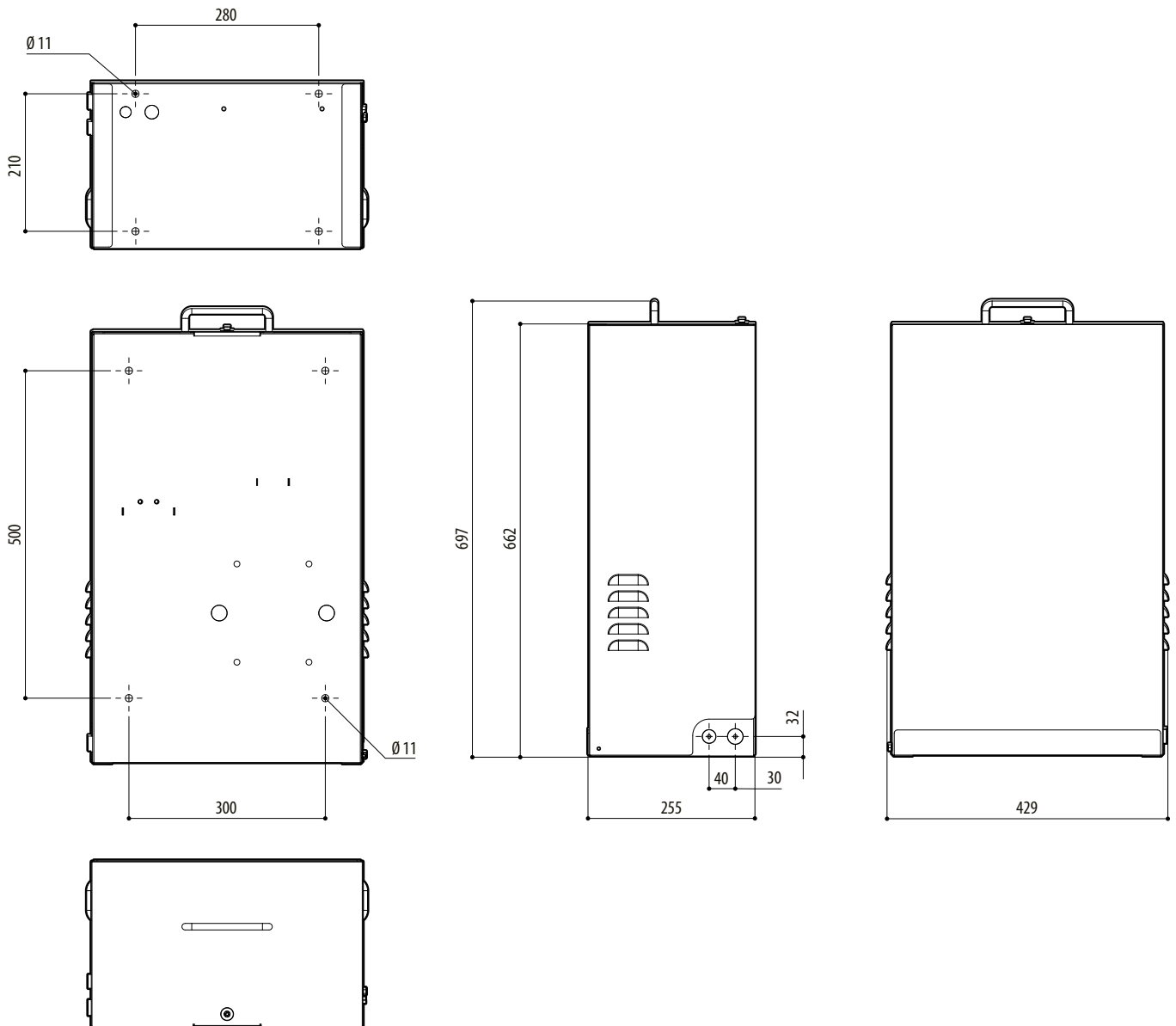
OCTEXBA3/4P	Barrier cable gland in nickel-plated brass EX 3/4" NPT, armoured cable IECEX-ATEX-EAC Ex
OCTEXBA1/2P	Barrier cable gland in nickel-plated brass EX 1/2" NPT, armoured cable IECEX-ATEX-EAC Ex
OCTEXB3/4P	Barrier cable gland in nickel-plated brass EX 3/4" NPT, unarmoured cable IECEX-ATEX-EAC Ex
OCTEXB1/2P	Barrier cable gland in nickel-plated brass EX 1/2" NPT, unarmoured cable IECEX-ATEX-EAC Ex
OEXPLUG3/4P	Plug EX 3/4" NPT IECEX-ATEX-EAC Ex
OEXPLUG1/2P	Plug EX 1/2" NPT IECEX-ATEX-EAC Ex
OCTEX1/2-3/4P	Cable glands reduction in nickel-plated brass Ex 3/4" - 1/2" NPT IECEX-ATEX-EAC Ex

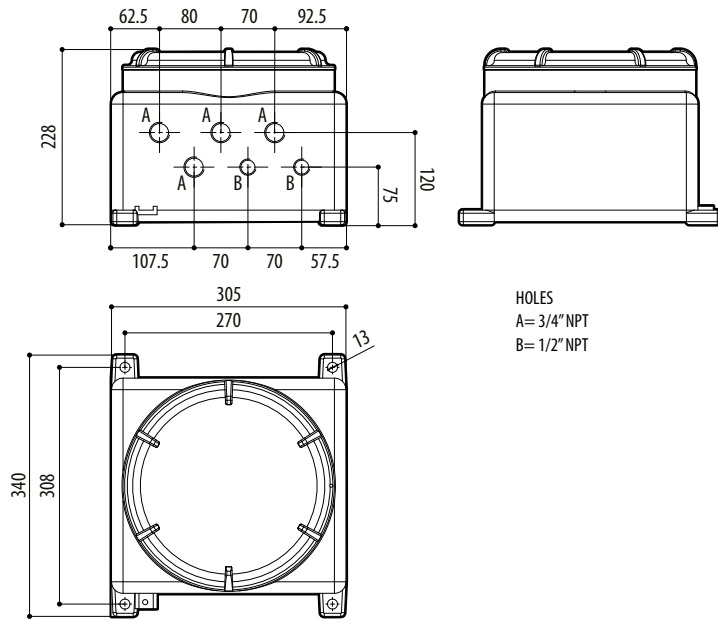
## PACKAGE

Model Number	Weight	Dimensions (WxHxL)	Master carton
MBA155A	17kg (37lb)	66x33x57cm (26x13x22in)	-

## TECHNICAL DRAWINGS

The dimensions of the drawings are in millimetres.





MAXIMUS MBA